



### LIGHTING & ELECTRICAL FOR STANDARD BOOTH

*Electrical equipment for Standard Booth package (Inclusive of Power Consumption)*

ITEM	DESCRIPTION	Early Rate by 20 Jul 18	Standard 21 Jul to 24 Aug 18	On-site 25 Aug to 11 Sep 18	QTY	AMOUNT (USD)
Standard Booth Type A,D	Electrical Equipment Include	48.32	53.50	69.72		
	- 2xTube light (white light)					
	- 2xSpotlight Standard Type(warm light)					
	- 1x5Amp socket/220 Volt/50 Hz(Socket not for lighting)					
Standard Booth Type B	Electrical Equipment Included	55.23	60.75	78.70		
	- 2xTube light (white light)					
	- 2xSpotlight Standard Type(warm light)					
	- 1xDownlight(warm light)					
Standard Booth Type C	Electrical Equipment Included	69.03	75.94	98.72		
	- 2xTube light (white light)					
	- 4xDownlight(warm light)					
	- 1x5Amp socket/220 Volt/50 Hz(Socket not for lighting)					
<b>*Please Noted :</b> Exhibitors who order this Electrical Package for Standard Booth must order Standard Booth Type from Xcon					<b>TOTAL (USD)</b>	

ORDERS ARE VALID ONLY WHEN ACCOMPANIED WITH PAYMENT IN FAVOR OF:

A/C Name : **Addex Co.,Ltd.**  
A/C No : **095-2-01041-9 (Saving Account)**  
Bank's Name : **Kasikorn Bank Public Co., Ltd. Seacon Square Branch**  
SWIFT CODE : **KASITHBK**

*Please send us via FAX a copy proof of payment confirmation. See details below.*

**Remarks:**

- Exhibitors who order Standard Booth Package A, B or C have to order Electrical Equipment to fit in each type.
- No modification on equipment is allowed. In case of damage, exhibitors will be penalized 20 times from the show day price list.
- A surcharge of 100% of electrical equipment will be added for any 24-hour operating electrical services.
- The distance of electrical cable is 2m from the hatch. Additional cable will be charged at 300THB/meter (Vat 7% exclusive).
- Electrical equipment relocation fee: 250THB/point, Circuit Breaker Single-phase relocation fee is 1,500THB/point and Circuit Breaker Three-phase relocation fee is 3,000THB/point (Vat 7% exclusive).
- Early Discount rate are orders and payments received before the deadline, late orders may not be accommodated. If accepted, Standard Rate will be in effect from deadline and On Site Rate applies during set up.
- The standard electricity are 220V and 380V. Fluctuation is around +/-10%. For safety,use electrical stabilizer to prevent power surge.
- Exhibitor can get **30% REFUND** if orders are cancelled **prior to 24 August 2018**, and **NO REFUND** to orders cancelled **after 24 August 2018**.
- VAT 7% is applicable throughout the Kingdom of Thailand and must be included in your payment.
- We accept cash only for payment onsite.
- The wire transfer fee for payment from oversea shall be the customer's responsibility.
- The price above is for show days only. Testing will be allowed at 1 PM on the last day of set up period.

<p><b>Please complete and return this copy to :</b></p> <p><b>Addex Co.,Ltd.</b></p> <p><b>111 Onnouch Soi 64, Onnouch Road</b></p> <p><b>Suanluang, Bangkok,Thailand 10250</b></p> <p><b>Tel. : (662) 322 2111 ext. 221 - 228</b></p> <p><b>Fax : (662) 322-2145-46</b></p> <p><b>E-mail : bkggems.ele@gmail.com</b></p> <p><b>Tax ID. 0105548154906</b></p>	<b>Exhibiting Company:</b>
	<b>Address:</b>
	<input type="checkbox"/> Head Office <input type="checkbox"/> Branch
	<b>E-Mail:</b>
	<b>Tax ID:</b> <span style="float:right"><b>Fax:</b></span>
	<b>Stand No:</b> <span style="float:right"><b>Date:</b></span>
	<b>Tel:</b>
	<b>Contact Person:</b>



**LIGHTING & ELECTRICAL SERVICES**

ITEM	DESCRIPTION	Light Color (Encircle preference)		Early Rate by 20 Jul 18	Standard 21 Jul to 24 Aug 18	On-site 25 Aug to 11 Sep 18	QTY	AMOUNT (USD)
<b>Section A : Equipment service plus individual fitting, include electrical consumption.</b>								
1	Spotlight Bulb LED	Warm	White	18.98	21.05	27.27		
2	Spotlight Bulb LED with arm 50cm	Warm	White	20.71	22.78	29.34		
3	LED Tube light(1.2mL)	N/A	White	22.44	24.85	32.10		
4	Spotlight LED MR16 with arm 15cm	Warm	White	22.44	24.85	32.10		
5	Spotlight LED PAR	Warm	White	29.34	32.79	42.45		
6	Spotlight LED PAR with arm 50cm	Warm	White	32.79	36.24	46.94		
7	Down Light LED MR16	Warm	White	25.89	28.30	36.59		
8	Down Light Bulb LED	Warm	White	27.61	30.37	39.35		
9	Track light 1 light/set bulb LED	Warm	White	22.44	24.85	32.10		
10	Track light 1 light/set LED MR16	Warm	White	25.89	28.30	36.59		
11	Strip LED (90cmL) in low showcase	N/A	White	34.52	37.97	0.00		
12	Halogen flood light 500W	Warm	N/A	41.42	45.56	59.02		
13	Flood Light LED 50W	Warm	White	86.29	94.92	0.00		
14	Flood light Metal Halide 150W	N/A	White	62.13	69.03	89.74		
15	Flood Light LED 100W	Warm	White	120.81	132.89	N/A		
16	Flood light Metal Halide 400W	N/A	White	77.66	85.60	111.14		
<b>TOTAL (USD)</b>								

ORDERS ARE VALID ONLY WHEN ACCOMPANIED WITH PAYMENT IN FAVOR OF:

A/C Name : **Addex Co.,Ltd.**  
A/C No : **095-2-01041-9 (Saving Account)**  
Bank's Name : **Kasikorn Bank Public Co., Ltd. Seacon Square Branch**  
SWIFT CODE : **KASITHBK**

Please send us via FAX a copy proof of payment confirmation. See details below.

**Remarks:**

- One electric 5Amp power socket is limited for one merchandise only. Extension cord and connecting for lighting is strictly prohibited to prevent power surge.
- No modification on equipment is allowed. In case of damage, exhibitors will be penalized 20 times of the show day price list.
- The standard electricity are 220V and 380V. Fluctuation is around +/-10%. For safety, use electrical stabilizer to prevent power surge.
- A surcharge of 100% of electrical equipment will be added for any 24-hour operating electrical services.
- The distance of electrical cable is 2m from the hatch. Additional cable will be charged at 300THB/meter (Vat 7% exclusive).
- Electrical equipment relocation fee: 250THB/point, Circuit Breaker Single-phase relocation fee is 1,500THB/point and Circuit Breaker Three-phase relocation fee is 3,000THB/point (Vat 7% exclusive).
- Exhibitor can get **30% REFUND** if orders are cancelled **prior to 24 August 2018**, and **NO REFUND** to orders cancelled **after 24 August 2018**.
- VAT 7% is applicable throughout the Kingdom of Thailand and must be included in your payment.
- We accept cash only for payment onsite.
- The wire transfer fee for payment from oversea shall be the customer's responsibility.
- The price above is for show day/s only and testing will be allowed at 1pm on the last day of the set up period.

<b>Please complete and return this copy to :</b> <b>Addex Co.,Ltd.</b> <b>111 Onnouch Soi 64, Onnouch Road</b> <b>Suanluang, Bangkok,Thailand 10250</b> <b>Tel. : (662) 322 2111 ext. 221 - 228</b> <b>Fax : (662) 322-2145-46</b> <b>E-mail : bkkgems.ele@gmail.com</b> <b>Tax ID. 0105548154906</b>	<b>Exhibiting Company:</b>
	<b>Address:</b>
	<input type="checkbox"/> <b>Head Office</b> <input type="checkbox"/> <b>Branch</b>
	<b>E-Mail:</b>
	<b>Tax ID:</b> <span style="float: right;"><b>Fax:</b></span>
	<b>Stand No:</b> <span style="float: right;"><b>Date:</b></span>
	<b>Tel:</b>
<b>Contact Person:</b>	



**LIGHTING & ELECTRICAL SERVICES**

ITEM	DESCRIPTION	Early Rate by 20 Jul 18	Standard 21 Jul to 24 Aug 18	On-site 25 Aug to 11 Sep 18	QTY	AMOUNT (USD)
<b>Section B : Breaker (for Lighting), inclusive of consumption</b>						
17	5 Amp/220V Single Phase 50Hz	120.81	132.89	172.58		
18	15 Amp/220V Single Phase 50Hz	234.71	258.18	335.50		
19	30 Amp/220V Single Phase 50Hz	448.71	493.58	642.00		
20	15 Amp/380V Three Phase 50Hz	673.06	740.37	962.31		
21	30 Amp/380V Three Phase 50Hz	1,328.87	1,461.76	1,898.39		
22	60 Amp/380V Three Phase 50Hz	2,036.45	2,240.10	2,909.71		
<b>Section C : Equipment connecting labour charge for exhibitors using their own lighting fixture, exclusive of consumption (FOR STANDARD BOOTH)</b>						
23	Connecting fee per unit (exclusive consumption)	6.21	6.90	8.97		
<b>Section D : Breaker for Exhibits (not for lighting), inclusive of power consumption</b>						
24	5 A. Socket (with 5 A. fuse) 220V/50Hz	23.47	25.89	33.83		
25	15 Amp/220V Single Phase 50Hz	86.29	94.92	123.22		
26	30 Amp/220V Single Phase 50Hz	155.32	170.85	221.94		
27	15 Amp/380V Three Phase 50Hz	155.32	170.85	221.94		
28	30 Amp/380V Three Phase 50Hz	345.16	379.68	493.58		
29	60 Amp/380V Three Phase 50Hz	655.81	721.39	937.80		
30	100 Amp/380V Three Phase 50Hz	1,035.48	1,139.03	1,480.74		
**** Installation of electrical grounding is required in all electrical system ****						<b>TOTAL (USD)</b>

Any attempt to connect will cause automatic power shut down.

**ORDERS ARE VALID ONLY WHEN ACCOMPANIED WITH PAYMENT IN FAVOR OF:**

A/C Name : **Addex Co.,Ltd.**

A/C No : **095-2-01041-9 (Saving Account)**

Bank's Name : **Kasikorn Bank Public Co., Ltd. Seacon Square Branch**

SWIFT CODE : **KASITHBK**

Please send us via FAX a copy proof of payment confirmation. See details below.

**Remarks:**

- One electric 5Amp power socket is limited for one merchandise only. Extension cord and connecting for lighting is strictly prohibited to prevent power surge.
- No modification on equipment is allowed. In case of damage, exhibitors will be penalized 20 times of the show day price list.
- The standard electricity are 220V and 380V. Fluctuation is around +/-10%. For safety, use electrical stabilizer to prevent power surge.
- A surcharge of 100% of electrical equipment will be added for any 24-hour operating electrical services.
- The distance of electrical cable is 2m from the hatch. Additional cable will be charged at 300THB/meter (Vat 7% exclusive).
- Electrical equipment relocation fee: 250THB/point, Circuit Breaker Single-phase relocation fee is 1,500THB/point and Circuit Breaker Three-phase relocation fee is 3,000THB/point (Vat 7% exclusive).
- Exhibitor can get **30% REFUND** if orders are cancelled **prior to 24 August 2018**, and **NO REFUND** to orders cancelled **after 24 August 2018**.
- VAT 7% is applicable throughout the Kingdom of Thailand and must be included in your payment.
- We accept cash only for payment onsite.
- The wire transfer fee for payment from oversea shall be the customer's responsibility.
- The price above is for show day/s only and testing will be allowed at 1pm on the last day of the set up period.

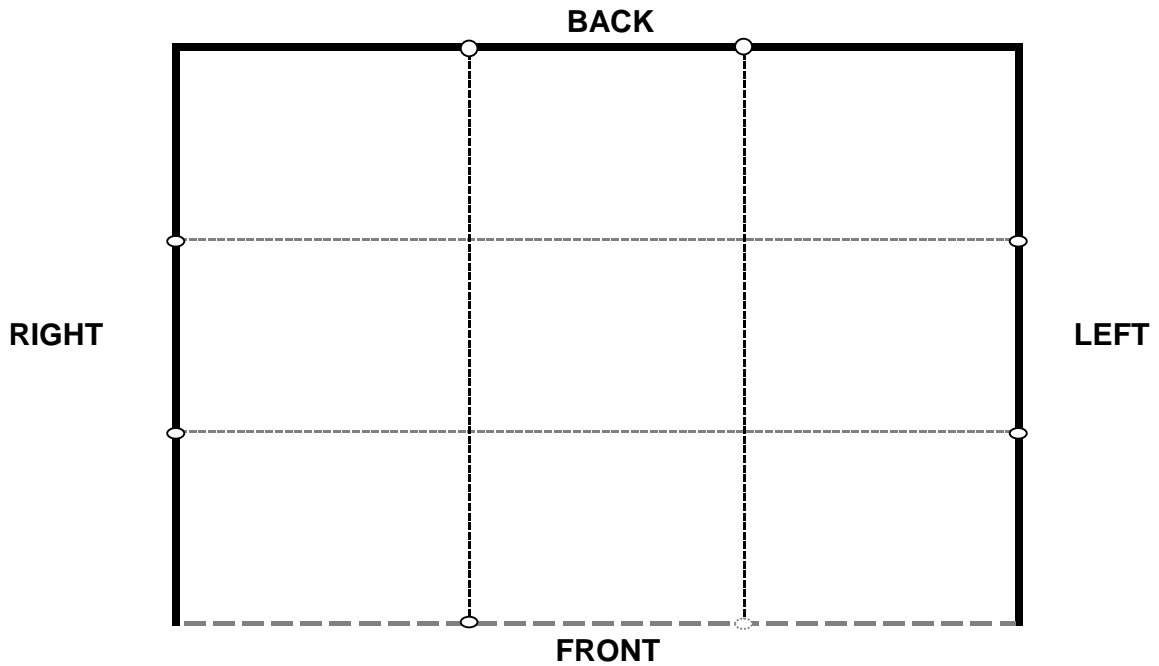
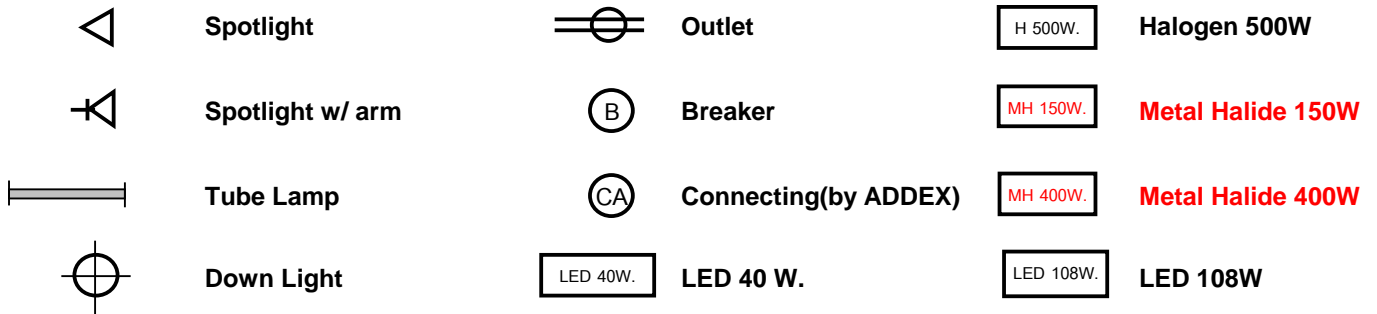
<b>Please complete and return this copy to :</b>  <b>Addex Co.,Ltd.</b>  <b>111 Onnouch Soi 64, Onnouch Road</b> <b>Suanluang, Bangkok, Thailand 10250</b>  <b>Tel. : (662) 322 2111 ext. 221 - 228</b> <b>Fax : (662) 322-2145-46</b>  <b>E-mail : bkggems.ele@gmail.com</b>  <b>Tax ID. 0105548154906</b>	<b>Exhibiting Company:</b>
	<b>Address:</b>
	<input type="checkbox"/> Head Office <input type="checkbox"/> Branch
	<b>E-Mail:</b>
	<b>Tax ID:</b> <span style="float: right;"><b>Fax:</b></span>
	<b>Stand No:</b> <span style="float: right;"><b>Date:</b></span>
	<b>Tel:</b>
<b>Contact Person:</b>	



### LIGHTING & ELECTRICS PLAN

If not specified otherwise, all your requested utility points will be placed upon our Contractor's discretion.

All relocation cost thereafter shall be at the Exhibitor's expense.



- Equipment required 24 Hr. electricity supply must be identified in plan.
- Electrical equipment relocation fee: 250THB/point, Circuit Breaker Single-phase relocation fee is 1,500THB/point and Circuit Breaker Three-phase relocation fee is 3,000THB/point (Vat 7% exclusive).

Please complete and return this copy to :

**Addex Co.,Ltd.**  
**111 Onnouch Soi 64, Onnouch Road**  
**Suanluang, Bangkok, Thailand 10250**  
Tel. : (662) 322 2111 ext. 221 - 228  
Fax : (662) 322-2145-46  
E-mail : [bkkgems.ele@gmail.com](mailto:bkkgems.ele@gmail.com)  
**Tax ID. 0105548154906**

Exhibiting Company:

Address:

E-Mail:

Tax ID:

Head Office

Branch

Stand No:

Tel:

Fax:

Contact Person:

Date:



**Electrical for set-up and dismantle**

Set Up

ITEM	DESCRIPTION	Price/day (USD)	Days	Date	QTY	AMOUNT (USD)
<b>Section F: Electrical for set-up</b>						
1	15 Amp/220V Single Phase 50Hz	34.52				
2	30 Amp/220V Single Phase 50Hz	62.13				
3	15 Amp/380V Three Phase 50Hz	62.13				
4	30 Amp/380V Three Phase 50Hz	117.35				
5	60 Amp/380V Three Phase 50Hz	234.71				
5	100 Amp/380V Three Phase 50Hz	414.19				
<b>TOTAL (USD)</b>						

Dismantle

ITEM	DESCRIPTION	Price/day (USD)	Days	Date	QTY	AMOUNT (USD)
<b>Section F: Electrical for dismantle</b>						
1	15 Amp/220V Single Phase 50Hz	34.52				
2	30 Amp/220V Single Phase 50Hz	62.13				
3	15 Amp/380V Three Phase 50Hz	62.13				
4	30 Amp/380V Three Phase 50Hz	117.35				
5	60 Amp/380V Three Phase 50Hz	234.71				
6	100 Amp/380V Three Phase 50Hz	414.19				
<b>TOTAL (USD)</b>						

ORDERS ARE VALID ONLY WHEN ACCOMPANIED WITH PAYMENT IN FAVOR OF:

A/C Name : **Addex Co.,Ltd.**

A/C No : **095-2-01041-9 (Saving Account)**

Bank's Name : **Kasikorn Bank Public Co., Ltd. Seacon Square Branch**

SWIFT CODE : **KASITHBK**

**Remarks:**

- Electrical equipment relocation fee: 250THB/point, Circuit Breaker Single-phase relocation fee is 1,500THB/point and Circuit Breaker Three-phase relocation fee is 3,000THB/point (Vat 7% exclusive).
- Any illegal connection found would yield to electrical power disconnection and a fine of 20 times will be applied as per manual price.
- Exhibitor can get **30% REFUND** if orders are cancelled **prior to 24 August 2018**, and **NO REFUND** to orders cancelled **after 24 August 2018**.
- VAT 7% is applicable throughout the Kingdom of Thailand and must be included in your payment.
- A surcharge of 100% of electrical equipment will be added for 24-hour operating services.
- The wire transfer fee for payment from oversea shall be the customer's responsibility.
- The price above is for set up and dismantle period only, not for show day/s.

<p><b>Please complete and return this copy to :</b></p> <p><b>Addex Co.,Ltd.</b></p> <p><b>111 Onnouch Soi 64, Onnouch Road</b></p> <p><b>Suanluang, Bangkok,Thailand 10250</b></p> <p>Tel. : (662) 322 2111 ext. 221 - 228</p> <p>Fax : (662) 322-2145-46</p> <p>E-mail : <b>bkkgems.ele@gmail.com</b></p> <p><b>Tax ID. 0105548154906</b></p>	<b>Exhibiting Company:</b>
	<b>Address:</b>
	<input type="checkbox"/> <b>Head Office</b> <input type="checkbox"/> <b>Branch</b>
	<b>E-Mail:</b>
	<b>Tax ID:</b> _____ <b>Fax:</b> _____
	<b>Stand No:</b> _____ <b>Date:</b> _____
	<b>Tel:</b> _____
<b>Contact Person:</b>	



## Lighting picture

1		2		3		4	
	Spotlight Bulb LED		Spotlight Bulb LED WITH ARM 50 cm.		LED Tube light 1.2 M. long (WHITE LIGHT)		Spotlight LED MR16 with arm 15 cm.
5		6		7		8	
	Spotlight LED PAR		Spotlight LED PAR with arm 50 cm.		Downlight LED MR16 (Size of hole 7.5 cm.)		Downlight Bulb LED (Size of hole 9.5 cm.)
9		10		11		12	
	Track light 1 light / Set Bulb LED		Track light 1 light / Set LED MR16		Strip LED (WHITE LIGHT) (90 cm. long)		Halogen flood light 500 W. (Yellow Light)
13		14		15		16	
	Flood light LED 50 W. (WHITE LIGHT)		Flood light Metal Halide 150 W (WHITE LIGHT)		Flood light LED 100 W. (WHITE LIGHT)		Flood light Metal Halide 400 W (WHITE LIGHT)
							
	SOCKET 5 AMP / 220V.		BREAKER Single Phases		BREAKER Three Phases		

Any more specification or picture requirement, please contact

Mail : [addele@gmail.com](mailto:addele@gmail.com) Tel. : (662) 322 2111 Ext. 328 - 330