



LIGHTING & ELECTRICAL FOR STANDARD BOOTH

Electrical equipment for Standard Booth package (Inclusive of Power Consumption)

ITEM	DESCRIPTION	Early Rate 06 July 18	Standard 07 July to 24 Aug 18	On-site 25 Aug to 11 Sep 18	QTY	AMOUNT (THB)
Standard Booth Type A	Electrical Equipment Include	1,400 (THB)	1,550 (THB)	2,020 (THB)		
	- 2xTube light (white light)					
	- 2xSpotlight Standard Type(warm light)					
	- 1x5Amp socket/220 Volt/50 Hz(Socket not for lighting)					
Standard Booth Type B	Electrical Equipment Included	1,600 (THB)	1,760 (THB)	2,280 (THB)		
	- 2xTube light (white light)					
	- 2xSpotlight Standard Type(warm light)					
	- 1xDownlight(warm light)					
Standard Booth Type C	Electrical Equipment Included	2,000 (THB)	2,200 (THB)	2,860 (THB)		
	- 2xTube light (white light)					
	- 4xDownlight(warm light)					
	- 1x5Amp socket/220 Volt/50 Hz(Socket not for lighting)					
*Please Noted : Exhibitors who order this Electrical Package for Standard Booth must order Standard Booth Type from Xcon					TOTAL	
					VAT 7%	
ORDERS ARE VALID ONLY WHEN ACCOMPANIED WITH PAYMENT IN FAVOR OF:					GRAND TOTAL	

A/C Name : **Addex Co.,Ltd.**

A/C No : **095-2-01041-9 (Saving Account)**

Bank's Name : **Kasikorn Bank Public Co., Ltd. Seacon Square Branch**

SWIFT CODE : **KASITHBK**

Please send us via FAX a copy proof of payment confirmation. See details below.

Remarks:

- Exhibitors who order Standard Booth Package A, B or C have to order Electrical Equipment to fit in each type.
- No modification on equipment is allowed. In case of damage, exhibitors will be penalized 20 times from the show day price list.
- A surcharge of 100% of electrical equipment will be added for any 24-hour operating electrical services.
- The distance of electrical cable is 2m from the hatch. Additional cable will be charged at 300THB/meter (Vat 7% exclusive).
- Electrical equipment relocation fee: 250THB/point, Circuit Breaker Single-phase relocation fee is 1,500THB/point and Circuit Breaker Three-phase relocation fee is 3,000THB/point (Vat 7% exclusive).
- Early Discount rate are orders and payments received before the deadline, late orders may not be accommodated. If accepted, Standard Rate will be in effect from deadline and On Site Rate applies during set up.
- The standard electricity are 220V and 380V. Fluctuation is around +/-10%. For safety, use electrical stabilizer to prevent power surge.
- Exhibitor can get 30% **REFUND** if orders are cancelled **prior to 24 August 2018**, and **NO REFUND** to orders cancelled **after 24 August 2018**
- VAT 7% is applicable throughout the Kingdom of Thailand and must be included in your payment.
- We accept cash only for payment onsite.
- The wire transfer fee for payment from oversea shall be the customer's responsibility.
- The price above is for show days only. Testing will be allowed at 1 PM on the last day of set up period.

<p>Please complete and return this copy to :</p> <p>Addex Co.,Ltd.</p> <p>111 Onnouch Soi 64, Onnouch Road</p> <p>Suanluang, Bangkok,Thailand 10250</p> <p>Tel. : (662) 322 2111 ext. 221 - 228</p> <p>Fax : (662) 322-2145</p> <p>E-mail : bkkgems.ele@gmail.com</p> <p>Tax ID. 0105548154906</p>	Exhibiting Company:	
	Address:	
	E-Mail:	
	Tax ID:	<input type="checkbox"/> Head Office <input type="checkbox"/> Branch
	Stand No:	
	Tel:	Fax:
	Contact Person:	Date:



LIGHTING & ELECTRICAL SERVICES FOR STANDARD BOOTH

ITEM	DESCRIPTION	Light Color (Encircle preference)		Early Rate	Standard	On-site	QTY	AMOUNT THB
				06 July 18	07 July to 24 Aug 18	25 Aug to 11 Sep 18		
Section A : Equipment service plus individual fitting, include electrical consumption.								
1	Spotlight Bulb LED	Warm	White	550	610	790		
2	Spotlight Bulb LED with arm 50cm	Warm	White	600	660	850		
3	LED Tube light(1.2mL)	N/A	White	650	720	930		
4	Spotlight LED MR16 with arm 15cm	Warm	White	650	720	930		
5	Spotlight LED PAR	Warm	White	850	950	1,230		
6	Spotlight LED PAR with arm 50cm	Warm	White	950	1,050	1,360		
7	Down Light LED MR16	Warm	White	750	820	1,060		
8	Down Light Bulb LED	Warm	White	800	880	1,140		
9	Track light 1 light/set bulb LED	Warm	White	650	720	930		
10	Track light 1 light/set LED MR16	Warm	White	750	820	1,060		
11	Strip LED (90cmL) in low showcase	N/A	White	1,000	1,100	N/A		
12	Halogen flood light 500W	Warm	N/A	1,200	1,320	1,710		
13	Flood Light LED 50W	Warm	White	2,500	2,750	N/A		
14	Flood light Metal Halide 150W	N/A	White	1,800	2,000	2,600		
15	Flood Light LED 100W	Warm	White	3,500	3,850	N/A		
16	Flood light Metal Halide 400W	N/A	White	2,250	2,480	3,220		
							TOTAL	
							VAT 7%	
							GRAND TOTAL	

ORDERS ARE VALID ONLY WHEN ACCOMPANIED WITH PAYMENT IN FAVOR OF:

A/C Name : **Addex Co.,Ltd.**
A/C No : **095-2-01041-9 (Saving Account)**
Bank's Name : **Kasikorn Bank Public Co., Ltd. Seacon Square Branch**
SWIFT CODE : **KASITHBK**

Please send us via FAX a copy proof of payment confirmation. See details below.

Remarks:

- One electric 5Amp power socket is limited for one merchandise only. Extension cord and connecting for lighting is strictly prohibited to prevent power surge.
- No modification on equipment is allowed. In case of damage, exhibitors will be penalized 20 times of the show day price list.
- The standard electricity are 220V and 380V. Fluctuation is around +/-10%. For safety,use electrical stabilizer to prevent power surge.
- A surcharge of 100% of electrical equipment will be added for any 24-hour operating electrical services.
- The distance of electrical cable is 2m from the hatch. Additional cable will be charged at 300THB/meter (Vat 7% exclusive).
- Electrical equipment relocation fee: 250THB/point, Circuit Breaker Single-phase relocation fee is 1,500THB/point and Circuit Breaker Three-phase relocation fee is 3,000THB/point (Vat 7% exclusive).
- Exhibitor can get 30% REFUND if orders are cancelled **prior to 24 August 2018**, and **NO REFUND** to orders cancelled **after 24 August 2018**.
- VAT 7% is applicable throughout the Kingdom of Thailand and must be included in your payment.
- We accept cash only for payment onsite.
- The wire transfer fee for payment from oversea shall be the customer's responsibility.
- The price above is for show day/s only and testing will be allowed at 1pm on the last day of the set up period.

<p>Please complete and return this copy to :</p> <p>Addex Co.,Ltd.</p> <p>111 Onnouch Soi 64, Onnouch Road</p> <p>Suanluang, Bangkok,Thailand 10250</p> <p>Tel. : (662) 322 2111 ext. 221 - 228</p> <p>Fax : (662) 322-2145</p> <p>E-mail : bkggems.ele@gmail.com</p> <p>Tax ID. 0105548154906</p>	Exhibiting Company:
	Address:
	E-Mail:
	Tax ID: <input type="checkbox"/> Head Office <input type="checkbox"/> Branch
	Stand No:
	Tel: Fax:
	Contact Person: Date:



LIGHTING & ELECTRICAL SERVICES

ITEM	DESCRIPTION	Early Rate 06 July 18	Standard 07 July to 24 Aug 18	On-site 25 Aug to 11 Sep 18	QTY	AMOUNT THB
Section B : Breaker (for Lighting), inclusive of consumption						
17	5 Amp/220V Single Phase 50Hz	3,500	3,850	5,000		
18	15 Amp/220V Single Phase 50Hz	6,800	7,480	9,720		
19	30 Amp/220V Single Phase 50Hz	13,000	14,300	18,600		
20	15 Amp/380V Three Phase 50Hz	19,500	21,450	27,880		
21	30 Amp/380V Three Phase 50Hz	38,500	42,350	55,000		
22	60 Amp/380V Three Phase 50Hz	59,000	64,900	84,300		
Section C : Equipment connecting labour charge for exhibitors using their own lighting fixture, exclusive of consumption (FOR STANDARD BOOTH)						
23	Connecting fee per unit (exclusive consumption)	180	200	260		
Section D : Breaker for Exhibits (not for lighting), inclusive of power consumption						
24	5 A. Socket (with 5 A. fuse) 220V/50Hz	680	750	980		
25	15 Amp/220V Single Phase 50Hz	2,500	2,750	3,570		
26	30 Amp/220V Single Phase 50Hz	4,500	4,950	6,430		
27	15 Amp/380V Three Phase 50Hz	4,500	4,950	6,430		
28	30 Amp/380V Three Phase 50Hz	10,000	11,000	14,300		
29	60 Amp/380V Three Phase 50Hz	19,000	20,900	27,170		
30	100 Amp/380V Three Phase 50Hz	30,000	33,000	42,900		
**** Installation of electrical grounding is required in all electrical system ****						TOTAL
Any attempt to connect will cause automatic power shut down.						VAT 7%
						GRAND TOTAL

ORDERS ARE VALID ONLY WHEN ACCOMPANIED WITH PAYMENT IN FAVOR OF:

A/C Name : **Addex Co.,Ltd.**

A/C No : **095-2-01041-9 (Saving Account)**

Bank's Name : **Kasikorn Bank Public Co., Ltd. Seacon Square Branch**

SWIFT CODE : **KASITHBK**

Please send us via FAX a copy proof of payment confirmation. See details below.

Remarks:

- One electric 5Amp power socket is limited for one merchandise only. Extension cord and connecting for lighting is strictly prohibited to prevent power surge.
- No modification on equipment is allowed. In case of damage, exhibitors will be penalized 20 times of the show day price list.
- The standard electricity are 220V and 380V. Fluctuation is around +/-10%. For safety, use electrical stabilizer to prevent power surge.
- A surcharge of 100% of electrical equipment will be added for any 24-hour operating electrical services.
- The distance of electrical cable is 2m from the hatch. Additional cable will be charged at 300THB/meter (Vat 7% exclusive).
- Electrical equipment relocation fee: 250THB/point, Circuit Breaker Single-phase relocation fee is 1,500THB/point and Circuit Breaker Three-phase relocation fee is 3,000THB/point (Vat 7% exclusive).
- Exhibitor can get 30% REFUND if orders are cancelled **prior to 24 August 2018**, and **NO REFUND** to orders cancelled **after 24 August 2018**.
- VAT 7% is applicable throughout the Kingdom of Thailand and must be included in your payment.
- We accept cash only for payment onsite.
- The wire transfer fee for payment from oversea shall be the customer's responsibility.
- The price above is for show day/s only and testing will be allowed at 1pm on the last day of the set up period.








<p>Please complete and return this copy to :</p> <p>Addex Co.,Ltd.</p> <p>111 Onnouch Soi 64, Onnouch Road</p> <p>Suanluang, Bangkok, Thailand 10250</p> <p>Tel. : (662) 322 2111 ext. 221 - 228</p> <p>Fax : (662) 322-2145</p> <p>E-mail : bkkgems.ele@gmail.com</p> <p>Tax ID. 0105548154906</p>	<p>Exhibiting Company:</p>
	<p>Address:</p>
	<p>E-Mail:</p>
	<p>Tax ID: <input type="checkbox"/> Head Office <input type="checkbox"/> Branch</p>
	<p>Stand No:</p>
	<p>Tel: Fax:</p>
	<p>Contact Person: Date:</p>

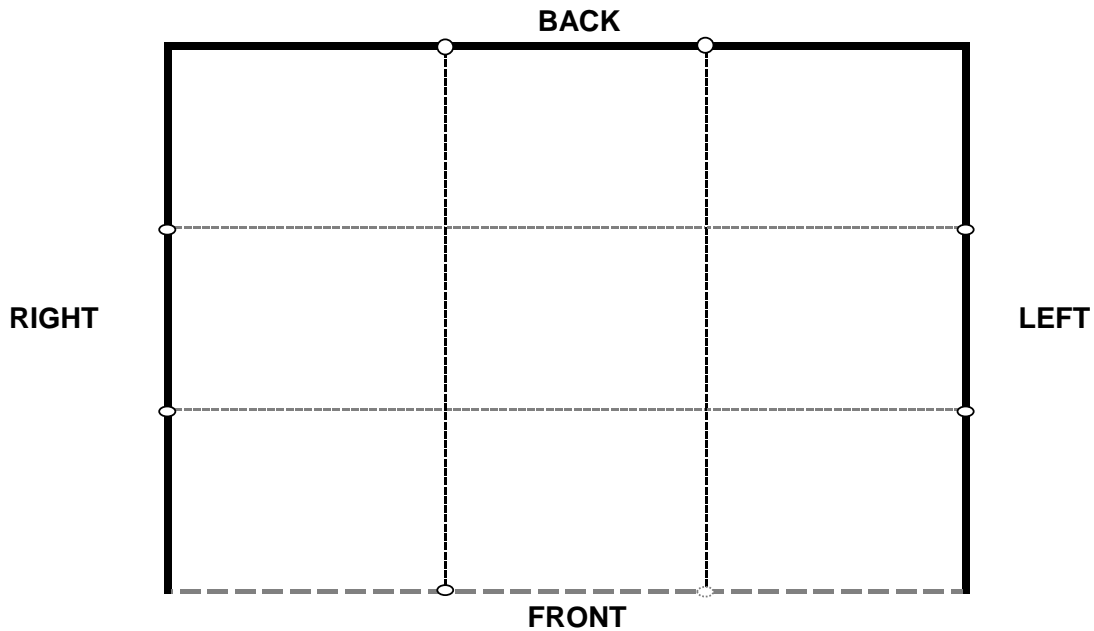


LIGHTING & ELECTRICS PLAN

If not specified otherwise, all your requested utility points will be placed upon our Contractor's discretion.

All relocation cost thereafter shall be at the Exhibitor's expense.

	Spotlight		Outlet	H 500W.	Halogen 500W
	Spotlight w/ arm		Breaker	MH 150W.	Metal Halide 150W
	Tube Lamp		Connecting(by UTEX)	MH 400W.	Metal Halide 400W
	Down Light	LED 40W.	LED 40 W.	LED 108W.	LED 108W



- Equipment required 24 Hr. electricity supply must be identified in plan.

- Electrical equipment relocation fee: 250THB/point, Circuit Breaker Single-phase relocation fee is 1,500THB/point and Circuit Breaker Three-phase relocation fee is 3,000THB/point (Vat 7% exclusive).

<p>Please complete and return this copy to :</p> <p style="text-align: center;">Addex Co.,Ltd.</p> <p style="text-align: center;">111 Onnouch Soi 64, Onnouch Road</p> <p style="text-align: center;">Suanluang, Bangkok,Thailand 10250</p> <p style="text-align: center;">Tel. : (662) 322 2111 ext. 221 - 228</p> <p style="text-align: center;">Fax : (662) 322-2145</p> <p style="text-align: center;">E-mail : bkkgems.ele@gmail.com</p> <p style="text-align: center;">Tax ID. 0105548154906</p>	<p>Exhibiting Company:</p> <hr/> <p>Address:</p> <hr/> <p>E-Mail:</p> <hr/> <p>Tax ID: <input type="checkbox"/> Head Office <input type="checkbox"/> Branch</p> <hr/> <p>Stand No:</p> <hr/> <p>Tel: Fax:</p> <hr/> <p>Contact Person: Date:</p>
---	---



Electrical for set-up and dismantle

Set Up

ITEM	DESCRIPTION	Price/day THB	Days	Date	QTY	AMOUNT THB
Section F: Electrical for set-up						
1	15 Amp/220V Single Phase 50Hz	1,000				
2	30 Amp/220V Single Phase 50Hz	1,800				
3	15 Amp/380V Three Phase 50Hz	1,800				
4	30 Amp/380V Three Phase 50Hz	3,400				
5	60 Amp/380V Three Phase 50Hz	6,800				
5	100 Amp/380V Three Phase 50Hz	12,000				
						TOTAL
						VAT 7%
						GRAND TOTAL

Dismantle

ITEM	DESCRIPTION	Price/day THB	Days	Date	QTY	AMOUNT THB
Section F: Electrical for dismantle						
1	15 Amp/220V Single Phase 50Hz	1,000				
2	30 Amp/220V Single Phase 50Hz	1,800				
3	15 Amp/380V Three Phase 50Hz	1,800				
4	30 Amp/380V Three Phase 50Hz	3,400				
5	60 Amp/380V Three Phase 50Hz	6,800				
6	100 Amp/380V Three Phase 50Hz	12,000				
						TOTAL
						VAT 7%
						GRAND TOTAL

ORDERS ARE VALID ONLY WHEN ACCOMPANIED WITH PAYMENT IN FAVOR OF:

A/C Name : **Addex Co.,Ltd.**

A/C No : **095-2-01041-9 (Saving Account)**

Bank's Name : **Kasikorn Bank Public Co., Ltd. Seacon Square Branch**

SWIFT CODE : **KASITHBK**

Remarks:

- Electrical equipment relocation fee: 250THB/point, Circuit Breaker Single-phase relocation fee is 1,500THB/point and Circuit Breaker Three-phase relocation fee is 3,000THB/point (Vat 7% exclusive).
- Any illegal connection found would yield to electrical power disconnection and a fine of 20 times will be applied as per manual price.
- Exhibitor can get 30% REFUND if orders are cancelled **prior to 24 August 2018**, and **NO REFUND** to orders cancelled **after 24 August 2018**.
- VAT 7% is applicable throughout the Kingdom of Thailand and must be included in your payment.
- A surcharge of 100% of electrical equipment will be added for 24-hour operating services.
- The wire transfer fee for payment from oversea shall be the customer's responsibility.
- The price above is for set up and dismantle period only, not for show day/s.

<p>Please complete and return this copy to :</p> <p>Addex Co.,Ltd.</p> <p>111 Onnouch Soi 64, Onnouch Road</p> <p>Suanluang, Bangkok,Thailand 10250</p> <p>Tel. : (662) 322 2111 ext. 221 - 228</p> <p>Fax : (662) 322-2145</p> <p>E-mail : bkkgems.ele@gmail.com</p> <p>Tax ID. 0105548154906</p>	Exhibiting Company:
	Address:
	E-Mail:
	Tax ID: <input type="checkbox"/> Head Office <input type="checkbox"/> Branch
	Stand No:
	Tel: Fax:
	Contact Person: Date: